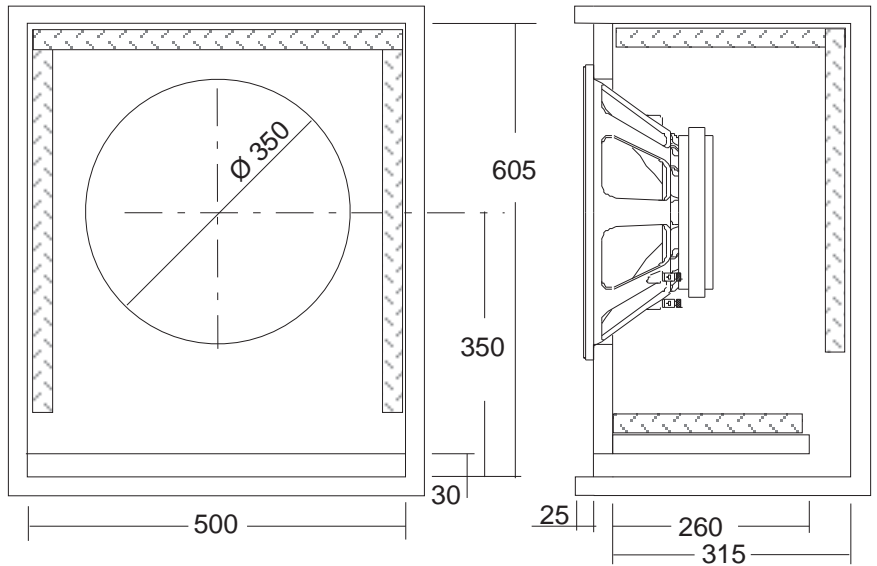


BR022 BASS REFLEX BOX



COMPONENTS	
L F	15.00 SW
Max Power	1500 W
Nominal Power	700 W
Impedance	8 Ω

SPECIFICATIONS

Sensitivity 1W/1m	:	93	dB
Net volume Vb	:	80	dmc
Tuning Frequency Fb	:	36	Hz
Frequency range	:	20 ÷ 500	Hz

