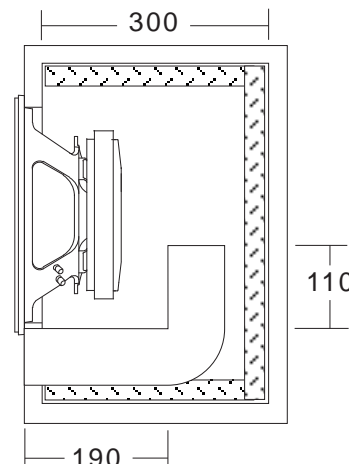
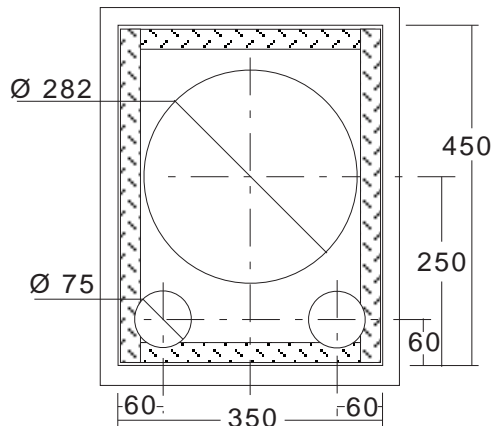
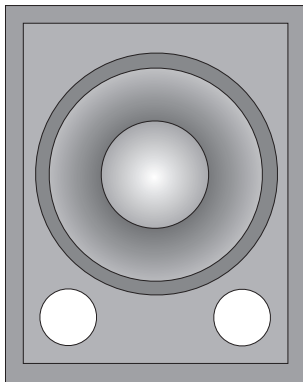


# BR011 BASS REFLEX BOX



COMPONENTS	
L F	12.00 SW
Max Power	1500 W
Nominal Power	700 W
Impedance	8 Ω

## SPECIFICATIONS

Sensitivity 1W/1m	:	90	dB
Net volume Vb	:	40	dmc
Tuning Frequency Fb	:	37	Hz
Frequency range	:	20 ÷ 500	Hz

