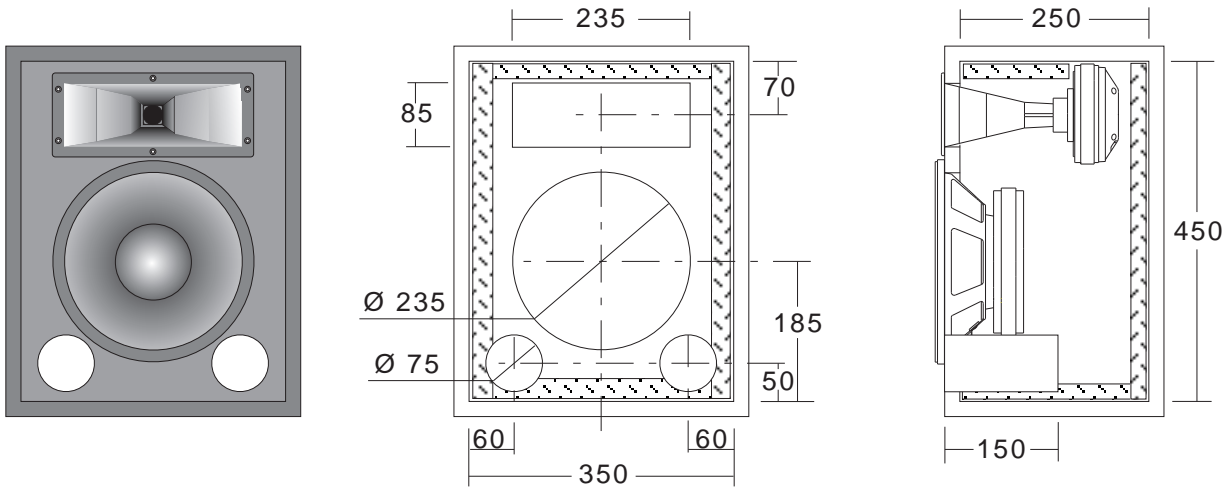


PR031 TWO WAYS REFLEX MONITOR



COMPONENTS	
L F	10.64 MB
H F	1.44 CD2
Horn	PR 260
Crossover	PF203
Max Power	400 W
Nominal Power	200 W
Impedance	8 Ω

SPECIFICATIONS

Sensitivity 1W/1m	:	100	dB
Net volume Vb	:	35	dmc
Tuning Frequency Fb	:	55	Hz
Frequency range	:	20 ÷ 20000	Hz
Crossover Frequency	:	2000	Hz

FREQUENCY RESPONSE 15.00 W2 (1W/1m)

